

DS-TCG405-E ANPR Camera



Entrance & Exit Product

4MP

CMOS

ANPR

IR

VF

Relays

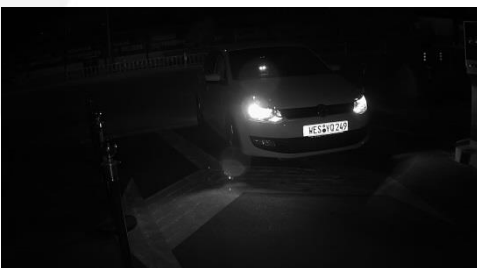
All-in-one

PowerZoom

DS-TCG405 camera series, based on deep learning, consists of protective cover, lens, camera, LED and power supply, offers high-definition Progressive Scan CMOS, and integrates intelligent recognition algorithms for specific applications such as entrance management, road safety enforcement, in-vehicle monitoring, parking lot control, etc.

Key Features

- 1/3" Progressive Scan CMOS
- Up to 2688 × 1520 resolution with real-time video
- 2x pics high-performance LEDs (integrated white light and IR)
- 3.1 to 6mm motorized vari-focal lens
- Support relay output to control vehicle barrier
- Support loop triggering or radar triggering
- Support multi-frame LPR
- Support dirty license plate recognition
- Support quick pass of multiple vehicles
- Support vehicle type, vehicle color and vehicle brand recognition
- Integrated shield, lights, TF Card (up to 128 G)
- Up to 30,000 whitelists
- Offline control
- PoE (802.3af)
- One-touch focus
- Manual capture and ANPR



Features and Functions

Multi-Frame LPR

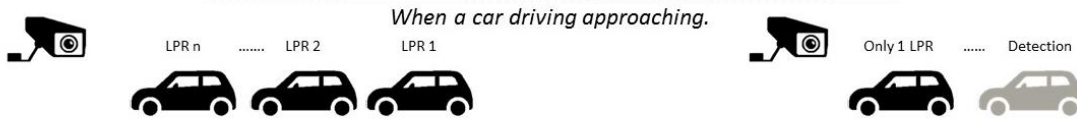


Multi-frame LPR

VS



LPR only one frame



Comparison to guarantee best result

- High Accuracy



Quick Pass of Multiple Cars



Free-flow

VS



Stop & Go, one by one



time-consuming

- More efficient and Lower the risk of car damage

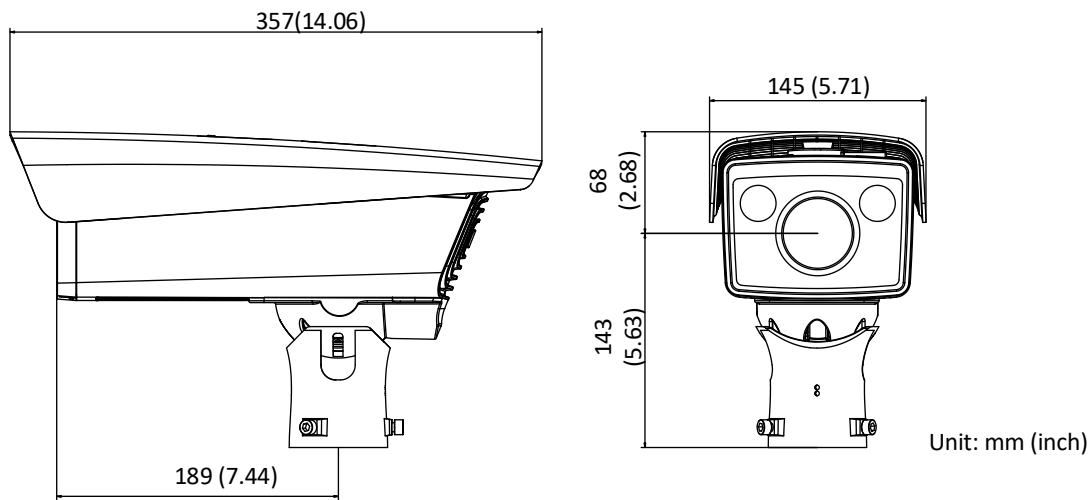


Specification

| | | |
|-----------------------------|-------------------------|--|
| Camera | Image Sensor | 1/3" Progressive Scan CMOS |
| | Min. Illumination | Color: 0.022Lux@(F1.2, AGC ON) B/W: 0.011Lux@(F1.2, AGC ON) |
| | Shutter Speed | 1/30 s to 1/100,000 s |
| | Lens | 3.1 mm to 6 mm |
| | IR Cut Filter | Support |
| Compression Standard | Video Compression | H.264/H.265/MJPEG |
| | Vieo Bit Rate | 32 Kbps to 16 Mbps |
| Image | Image Format | JPEG |
| | Max. Resolution | 2688*1520 |
| | Frame Rate | 25 fps(2688*1520) |
| | Image Settings | Saturation: 0 to 100 Brightness: 0 to 100 Contrast: 0 to 100 Gain: 0 to 100 3D DNR: Off, Normal and Expert modes are selectable. White balance: White Balance 1 and White Balance 2 are selectable. |
| Snapshot | Picture Format | JPEG with configurable quality |
| | Analytic | Support ANPR |
| | LED Control | Support automatic light control/time control of LEDs |
| Network | Storage | TF |
| | Protocols | TCP/IP, HTTP, DHCP, DNS, RTP, RTSP, NTP, FTP Upload Pictures |
| | Security | User Authentication, Heartbeat, NTP |
| | API | ISAPI, SDK |
| Interfaces | Communication Interface | 1 RJ45 10M/100M Ethernet port |
| | Serial Port | 1 RS-485 Port |
| | Built-in LED | 2 built-in LEDs (integrated white light and IR) |
| | Audio Output | 1-ch audio output |
| | Triggered Input | 3-ch triggered input, including 1-ch I/O triggered input and 2-ch alarm input |
| | Relay Output | 2-ch relay output, support open/close of barrier gates |
| | Memory Card Slot | 1 TF card slot, up to 128GB |
| General | Working Temperature | -25°C to 70°C (-13°F to 158°F) |
| | Working Humidity | 90% or less (non-condensing) |
| | Power Supply | 12 VDC, PoE (802.3af) or AC100V~240V |
| | Power Consumption | 22W Max |
| | Protection Level | IP67, IK10 |
| Vehicle Recognition | Vehicle Type | Car (including SUV, MPV, Pickup)/truck/bus/van |
| | Vehicle Color | Red, yellow(including orange), green, blue, purple, brown, white, grey(including silvery), black |
| | Vehicle Brand | Hyundai, Toyota, Kia, Honda, Volkswagen, Benz, Nissan, Ford, ISUZU, BMW, Chevrolet, Mitsubishi, Renault, Opel, Suzuki, Skoda, Daewoo, |

| | | |
|--|---|---|
| | | <p>Audi, Mazda, Hino, Peugeot, Ssang Yong, Citroen, Fiat, Scania, MAN, Volvo, Lexus, Seat, Land Rover, Daihatsu, UD Trucks, Subaru, IVECO, MINI, Jeep, Porsche, Chery, Dodge, Chrysler, Acura, Alfa Romeo, Great Wall, Infiniti, Smart, SAIC Maxus, JAC, Jaguar, GMC, Lincoln, JMC, SAAB, FAW, Yutong, Mercury, Joylong, Geely, Cadillac, Jinbei, Ankai, Haima, Foton, King Long, Dongfeng, Emgrand</p> |
| | <p>Country/Region supported by ANPR</p> | <p>Mid-East: United Arab Emirates (Abu Dhabi, Fuchaiha, Dubai, Cape Haima, Ozhman, Sharjah, Umgavan), Qatar, Iran, Iraq, Egypt, Jordan, Kuwait, Saudi Arabia, Pakistan, Oman, Lebanon, Bahrain</p> <p>Africa: Nigeria, Kenya, Cote d'Ivoire, South Africa, Tanzania, Mauritius, Morocco, Tunisia, Sierra Leone, Zambia, Ghana, Zimbabwe, Uganda, Angola, Ethiopia, Senegal, Algeria</p> <p>Asia-Pacific: Australia, New Zealand, Indonesia, Malaysia, Singapore, South Korea, Thailand, Vietnam, Philippines, Hong Kong, Macao, Taiwan, Burma, India, Mongolia, Cambodia, Laos, Bangladesh</p> <p>America: United States of America, Canada, Argentina, Chile, Paraguay, Uruguay, El Salvador, Bolivia, Colombia, Brazil, Ecuador, Peru, Mexico, Panama, Costa Rica, Trinidad and Tobago, Dominican, Guatemala</p> <p>Europe: Turkey, Croatia, Slovakia, Czech Republic, Bulgaria, Macedonia, Hungary, Greece, Poland, France, Netherlands, Switzerland, Spain, Britain, Ireland, Germany, Italy, Austria, Israel, Palestine, Belgium, Luxembourg</p> <p>Russian-Speaking Regions: Azerbaijan, Belarus, Kazakhstan, Lithuania, Georgia, Estonia, Latvia, Russian Federation, Ukraine, Moldova, Uzbekistan, Kyrgyzstan, Armenia, Albania, Kosovo</p> |
| | <p>ANPR Recognition Accuracy (Under recommended installation and lighting conditions)</p> | <p>Capture rate > 98%</p> <p>Vehicle moving direction recognition accuracy > 96%</p> <p>Mistaken capture rate < 2% (entrance/exit), < 5% (checkpoint)</p> <p>European and Russian-Speaking Regions: LPR accuracy > 98%</p> <p>Country/Region recognition accuracy > 98%</p> |

Dimensions



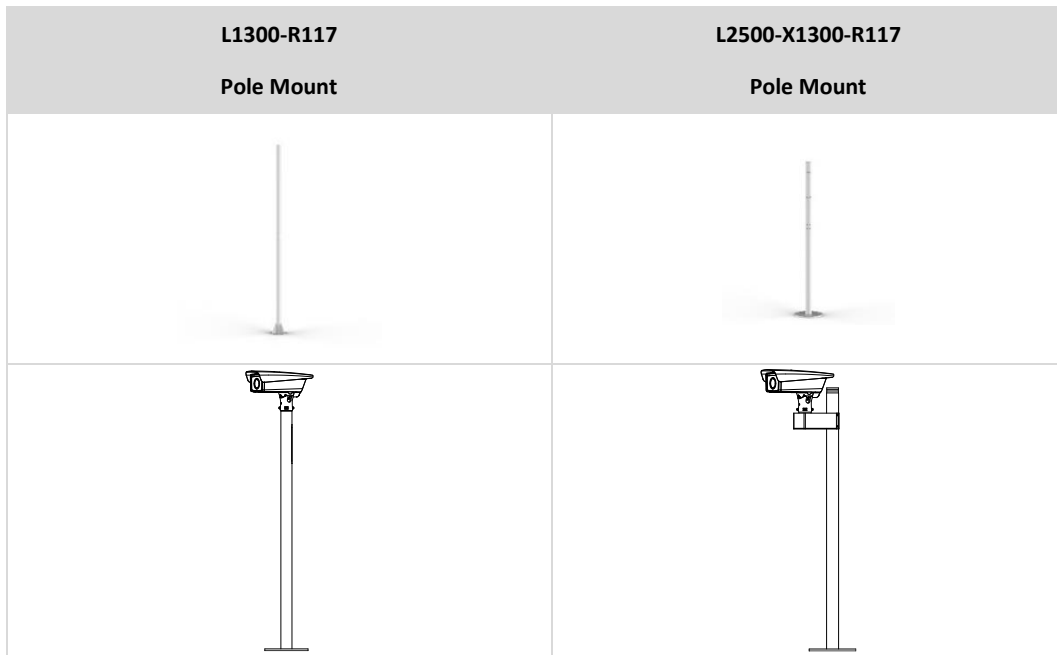
Available Models

DS-TCG405-E(220V)

DS-TCG405-E(12V/Poe)

Accessory

| DS-1275ZJ/HWB Hoop Mount | DS-1701ZJ/HWB Wall Mount | Cardan Joint | Wall Mount |
|-----------------------------|-----------------------------|--------------|------------|
| | | | |
| | | | |



Distributed by



HIKVISION®

Headquarters

No.555 Qianmo Road, Binjiang District,
Hangzhou 310051, China
T +86-571-8807-5998
overseasbusiness@hikvision.com

Hikvision USA
T +1-909-895-0400
sales.usa@hikvision.com

Hikvision Australia
T +61-2-8599-4233
salesau@hikvision.com

Hikvision India
T +91-22-28469900
sales@pramahikvision.com

Hikvision Canada
T +1-866-200-6690
sales.canada@hikvision.com

Hikvision Thailand
T +662-275-9949
sales.thailand@hikvision.com

Hikvision Europe
T +31-23-5542770
sales.eu@hikvision.com

Hikvision Italy
T +39-0438-6902
info.it@hikvision.com

Hikvision Brazil
T +55 11 3318-0050
Latam.support@hikvision.com

Hikvision Turkey
T +90 (216)521 7070- 7074
sales.tr@hikvision.com

Hikvision Malaysia
T +601-7652-2413
sales.my@hikvision.com

Hikvision UK & Ireland
T +01628-902140
sales.uk@hikvision.com

Hikvision South Africa
Tel: +27 (10) 0351172
sale.africa@hikvision.com

Hikvision France
T +33(0)1-85-330-450
info.fr@hikvision.com

Hikvision Kazakhstan
T +7-727-9730667
nikia.panfilov@hikvision.ru

Hikvision Vietnam
T +84-974270888
sales.vt@hikvision.com

Hikvision UAE
T +971-4-4432090
salesme@hikvision.com

Hikvision Singapore
T +65-6684-4718
sg@hikvision.com

Hikvision Spain
T +34-91-737-16-55
info.es@hikvision.com

Hikvision Tashkent
T +99-87-1238-9438
uzb@hikvision.ru

Hikvision Hong Kong
T +852-2151-1761
info.hk@hikvision.com

Hikvision Russia
T +7-495-669-67-99
saleru@hikvision.com

Hikvision Korea
T +82-(0)31-731-8817
sales.korea@hikvision.com

Hikvision Poland
T +48-22-460-01-50
info.pl@hikvision.com

Hikvision Indonesia
T +62-21-2933759
Sales.Indonesia@hikvision.com

Hikvision Colombia
sales.colombia@hikvision.com